



SHELTER ASSEMBLY MANUAL

Model # C4040N
W12xL12xH 4.5m
Container Shelter



Parts List

Part Code	Description	Qty
L A	Left Base Plate for 4 corners	2
L	Left Base Plate for inner arch tube	5
R A	Right Base Plate for 4 corners	2
R	Right Base Plate for inner arch tube	5
1	Roof Bent Tube	7
2	Upside Bent Tube	14
3	Underside Bent Tube	14
4	Lower Bent Tube	14
5	Longitudinal Flat Tube	42
6	Inclined Tube	16
7	Clip for Inclined Tube and standing leg	50
8	Bolts M12x100mm	49
9	Bolts M10x90mm	116
10	Ratchet	14
11	Belts for stretcher	14
12	Angle for fixed the Roof Cover	4
13	Roof Cover	1
14	Knitting Rope for Cover	1
15	Plastic Plug for end of tension tube	12
16	Tension Tube	2
17	Lower standing leg	10
17A	Upper standing leg	14
17B	Lower standing leg for corners	4
18	Horizontal tube for standing leg	4
18L A	Left Base Plate for 4 corners for left standing leg	2
18L	Base Plate for left standing leg	5
18R A	Right Base Plate for 4 corners for right standing leg	2
18R	Base Plate for right standing leg	5
19	Bolts M10x70mm for standing leg	56
20	Ratchet for tension front cover	4sets
21	Tension Tube for front tube	4
22	Front cover	2
23	Angle Seat for Base Plate	14
24	Bolt 12x30	42

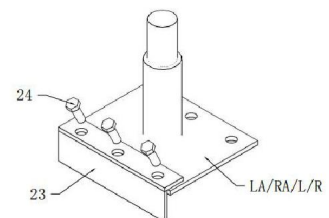
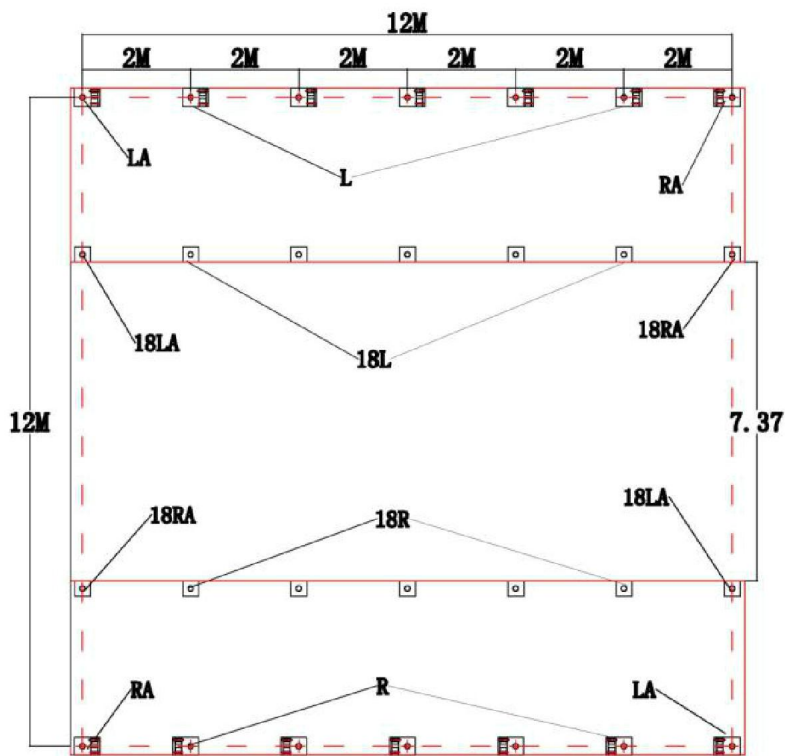
● EQUIPEMNT AND TOOLS FOR INSTALIATION

1. Measuring tape
2. String for alignment
3. Step ladder
4. Welder
5. Sledge hammer
6. Wrench
7. Scissors

INSTALLATION PROCESS

A—BASE INSTALLATION

Please refer to the diagram (Figure 1) to place the base plates.

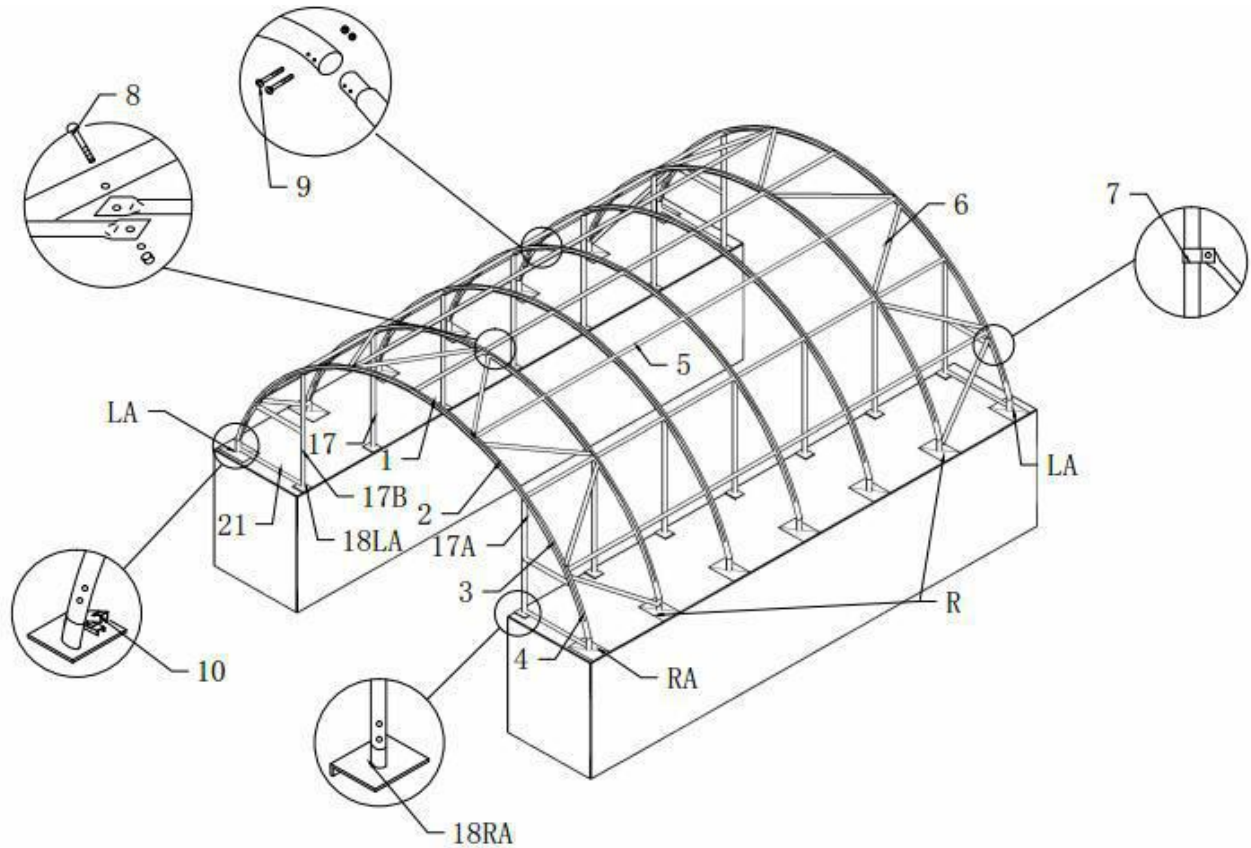


Step 1

1. The measurement is from center to center of the tubes. Referring to the above diagram and confirm the place of the base plates. ENSURE THAT THE FOUNDATIONS IS SQUARE.
2. All the base plates should be welded on the Containers.

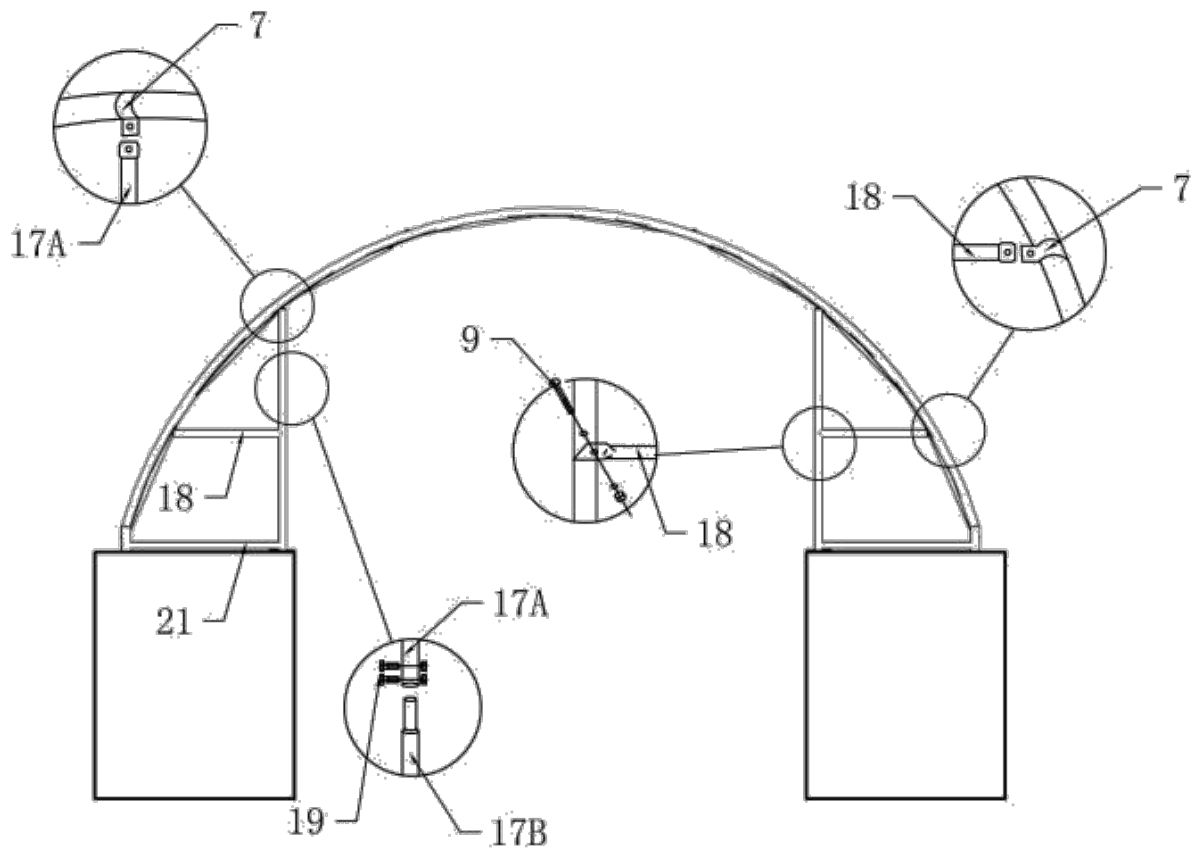
B—FRAME INSTALLATION

Please refer to the diagram (Step 1) to install the Frame.



Step 2

1. As Step 2 shown find Roof Bent Tube (No. 1), Upside Bent Tube (No.2), Underside Bent Tubes (NO.3) and Lower Bent Tube(NO.4). To connect them by Screw M10x90 (NO.9) .Which makes one group of arch. Please NOTE the direction of the screw. DO NOT install the screws on the top of the truss where the fabric will rest.
2. Insert one end of the assembled arch into one base plate and force the other end of the arch into the opposite base plate.
3. After finishing installing the first two arches, connect the Connection purlins onto them by using screw M12x100 (NO.8) .There is 7 pieces of Connection Purlins (NO.5)between each arch. Then install the third arch into base plate and connect the purlins. Finally install the Inclined Support tube (NO.6) using Screw and Clip (NO.7). Assemble the Frame by turns like this.

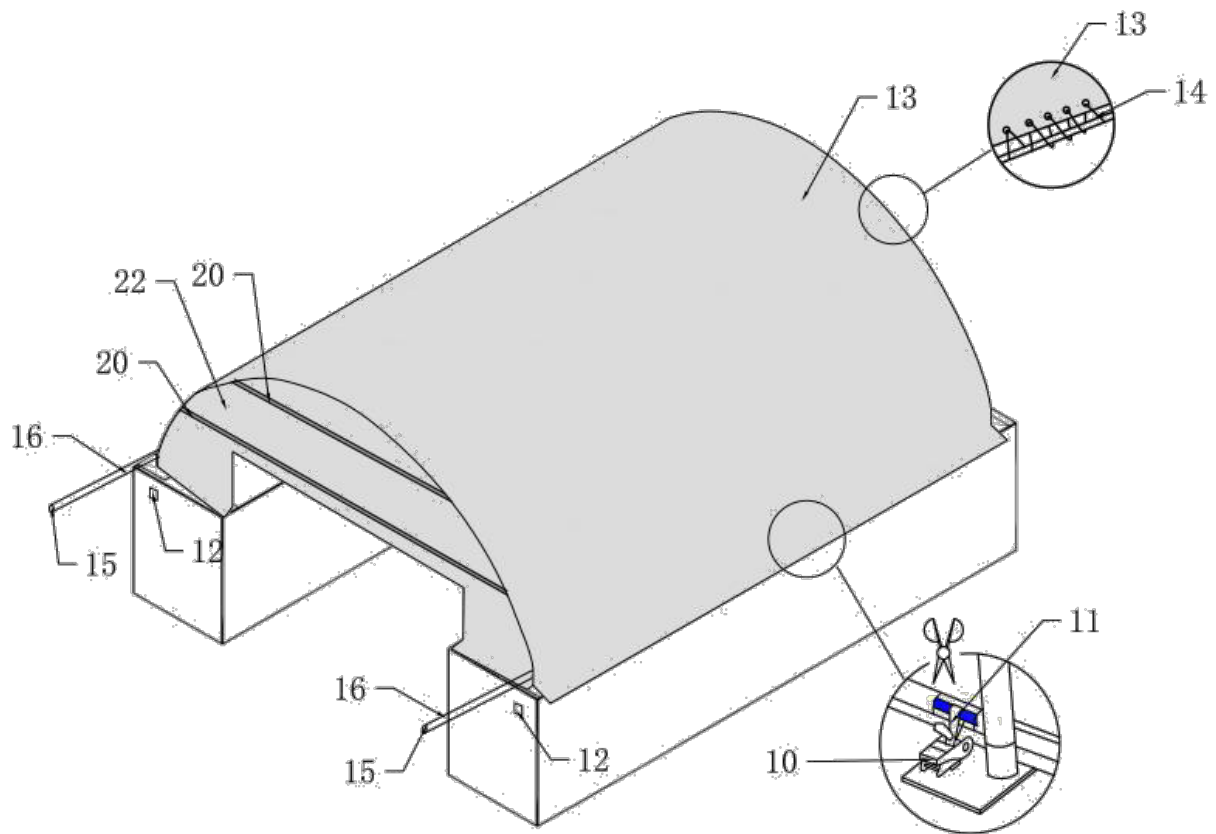


Step 4

1. As Step 4 shown to connect Upper standing leg(17/17A/17B),Lower standing leg(NO.17A) and Horizontal tube for standing leg(NO.18) with clip(NO.7),Bolts M10x90mm(NO.9),Bolts M10x70mm(NO.19),and then fixed them onto the container shelter

C—ROOF COVER INSTALLATION

Please refer to the diagram (Step 3) to install the Cover.



NOTE: DO NOT install the cover onto the frame of your building in high wind conditions. A slight breeze is the most advantageous for cover installation. To take advantage of the breeze, pull the cover up over the arches with the breeze blowing in the cover like a sail filled with air.

1. Put the Roof Cover (NO. 13) EVENLY, CARRFULLR AND SLOWLY on the frame. Adjust the cover so that it is square and evenly centered on the frame.
2. Weld the Angle Seats (NO. 12) on each container and use Ropes (NO. 14) to knit the cover on the two side arches, finally tie the Roof cover to the Angle seats.
3. Cut 9 pockets according to the position of the base plates and put the Lower Tension Tubes for roof cover (NO. 16) into the pocket of roof cover. Then use the Ratchet Straps (NO.11) to tie down the Lower Tension Tubes as **Step 3** shows. Finally install the ϕ 32 Plastic Plug for base rail section (NO. 15) into two end of the Lower tension tubes.
4. As Step 3 shown, the Ratchet for tension front cover(NO.20) should be installed as below:



NOTE: DO NOT LEAVE THE ROOF COVER UNATTACHED UNDER ANY CIRCUMSTANCES until the final assembly and tightening has been completed.

The process is quite easy. But some tightening adjustments will be necessary to produce a flat, tension ed roof cover. Please adjust the roof cover every month.