



SHELTER ASSEMBLY MANUAL

Model-336017P

Size: L18.3xW10xH5.2m

(1.52m arch space)



SPECIFICATION

Length: 18.3m Width: 10m Height: 5.2m

IMPORTANT---READ MANUAL FIRST

Improper site preparation, assembly and maintenance may invalidate warranty and cause unnecessary and costly mistakes. If you have any questions contact your local dealer.

For User Friendly assembly we have identified each individual component with the part code as indicated in the parts list. Please refer to the part code numbers and drawing to ensure problem free assembly.

It's necessary to tighten the roof fabric enough to avoid "hammocks" on the roof and also re-tighten once or twice again after a few months of use. This is important when assembly in cold weather (autumn and winter) because the fabric is stiff then and when we got the sun and warm weather afterwards it will make the fabric " slack " again and need to be re-tighten before next winter.

It's **the owners responsibility** to take of snow immediately if not slide of by itself.

READ ALL INSTRUCTIONS BEFORE ASSEMBLY

1. Keep work area clean. Cluttered areas invite injuries. Do not set up near snow drifts, in slippery places, in high winds, or wet location.
2. Keep children away. All children should be kept away from the work area. Be aware of personal safety. Be careful not to pinch fingers with clips and tubes when assembling: when using makes sure there is adequate ventilation for exhaust and other dangerous fumes.
3. Do not over reach. Keep proper footing and balance at all times.
4. Do not assemble if under the influence of alcohol or drugs. Read warning labels on prescription to determine if your judgment or reflexes are impaired while taking drugs. IF there is any doubt, do not assemble.
5. Be aware of possible windy conditions; fasten the base in concrete if these situations may occur. Remove the cover during hurricane.
6. Be careful with power and heat sources. Do not keep heat sources near the tarpaulin. Do not expose to open flame.
7. Be aware of personal safety during assembly and use .Be careful not to pinch fingers with clips and tubes when assembling when using makes sure there is adequate ventilation for exhaust and other dangerous fumes.

336017P Parts List(1.52m arch space)

Part	Description	Qty
1	Roof bent tube	11 group
1A	Roof bent tube for front and back door	2 group
2	Sidewall bent tube	22 group
2A	Sidewall bent tube for front and back door	4 group
3	Shoulder bent tube	26 group
4	Standing leg	24 group
4A	Standing leg for front door	2 group
5	Purlin	84
5A	Diagonal bar at shoulder	22
6	Ratchet	26
6L	Base Plate at left corner	2
6R	Base Plate at right corner	2
7	Base Plate at middle	22
8	Base Plate for Mechanical door	4
9	The door splint	8
10L	Lower Portal at left for front and back door	2
10R	Lower Portal at right for front and back door	2
11L	Upper Portal at left for front and back door	2
11R	Upper Portal at right for front and back door	2
12	Door beam on both doors	4
12A	Vertical support tube for door beam	2
13	Shoulder purlin for both door	8
14	Tube for No.14A	2
14A	Mechanical wheel	2
15	Steel wire for Mechanical door	2
16	Tensioning tube for front and back door	4
17	Steel wire at side face	24
18	Steel wire on top	12
19	Clip for both doors, steel wire and diagonal bar	72
19A	Angle iron	12
20	Vertical pipe for front and back door	14 group
21	Base tensioning tube for Roof cover	2 group
22	Bolt 8*60mm	312
22A	Bolt 12*30mm	56
23	Carriage bolt 10*80mm	91
24	Bolt 10*90mm	48
25	Bolt 10*30mm	8
25A	Bolt 10*60mm	8

26	Nylon Band for Ratchet	26
27	Ropes	1 bundle
28	Plastic cap	12
29	Stake peg	112
30	Front and back door cover	2
31	Front and back door cover at side face	2
32	Roof cover	1

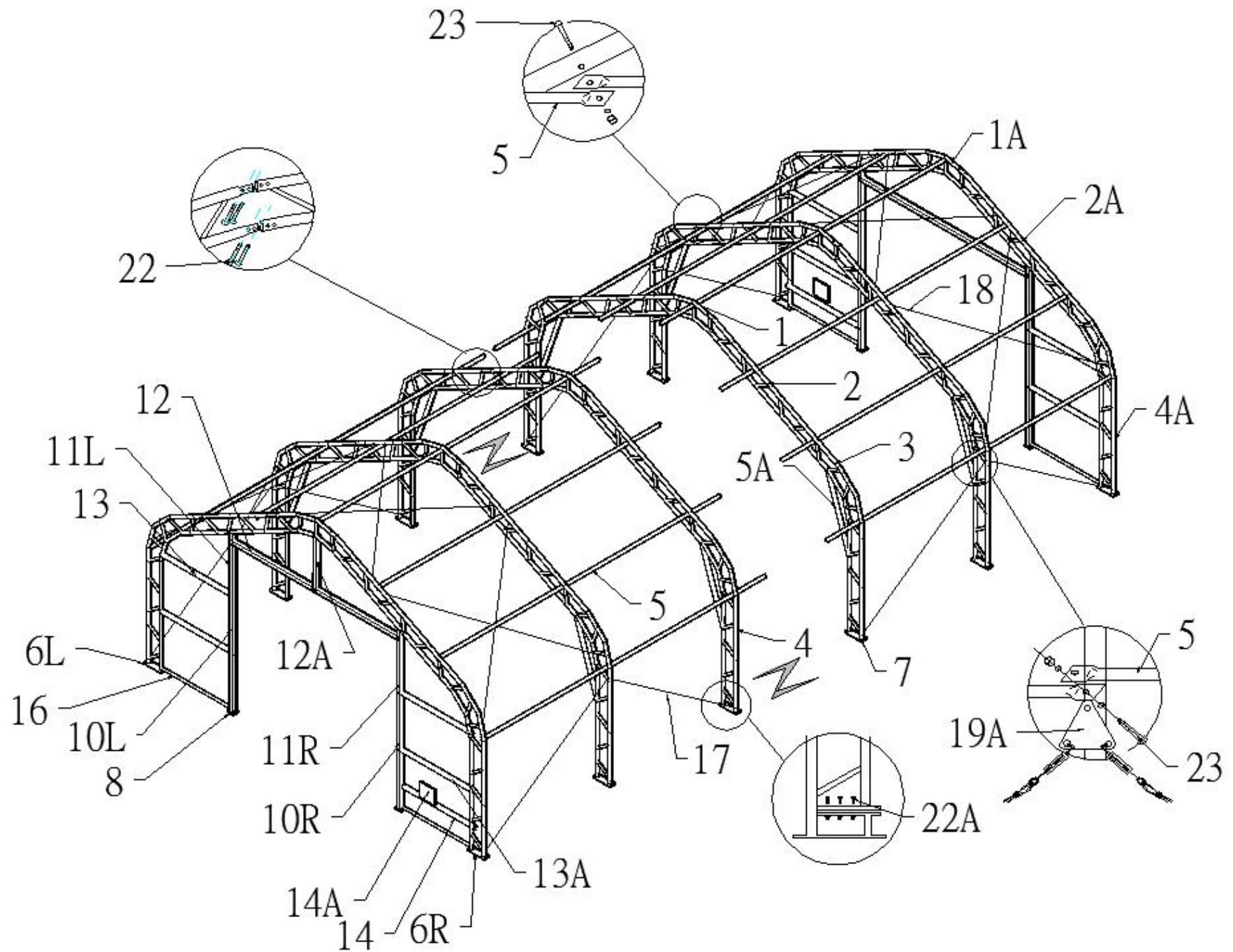


Figure 1: Frame Sketch

EQUIPMENT AND TOOLS FOR INSTALLATION

- | | |
|-------------------|----------------------------|
| 1. Measuring Tape | 2. String for alignment |
| 3. Stake | 4. Ladder or Scissors Lift |
| 5. Sledge Hammer | 6. Drill |
| 7. Wrench | 8. Knife |
| 9. Hoist | |

INSTALLATION PROCESS

A---BASE INSTALLATION

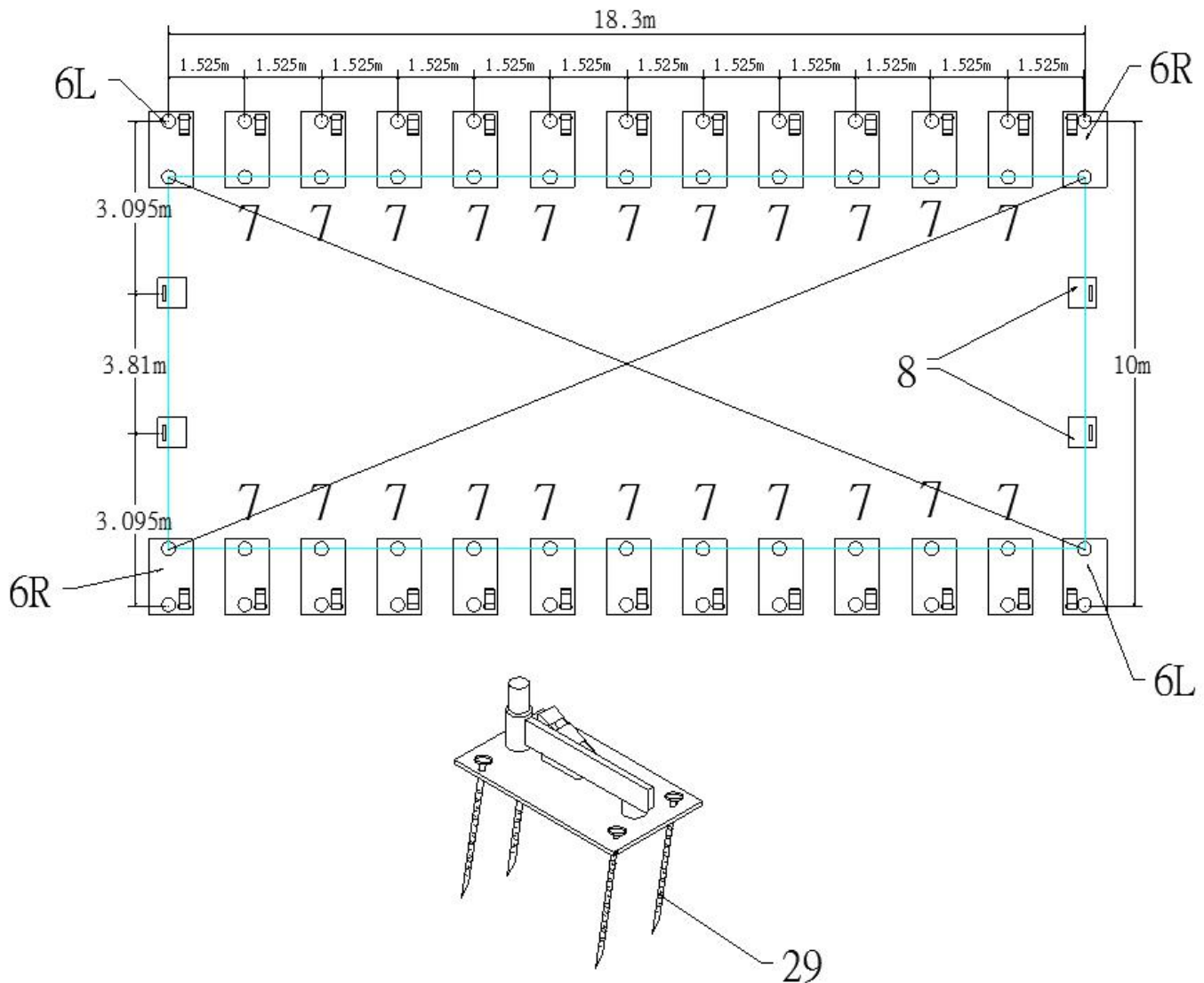


Figure 2 Base Plate

Please refer to the diagram (Figure 2) to place the base plates:

1. The measurement is from center to center of tubes on the base palates. Referring to the above diagram and confirm the place of base plates. There are four holes on the plates for stake pegs.

Foundation placement

As Figure 2 shows each Base plate is equipped with 4 pieces of Stake peg.

1. Mark the stake peg hold through the base plate by using the stake peg. Move the base plates away and the mark determines where the stake peg will be.
2. **Note:** The stake peg apply for normal conditions, not suitable to the rock ground, frozen soil and concrete ground.

B---FRAME INSTALLATION

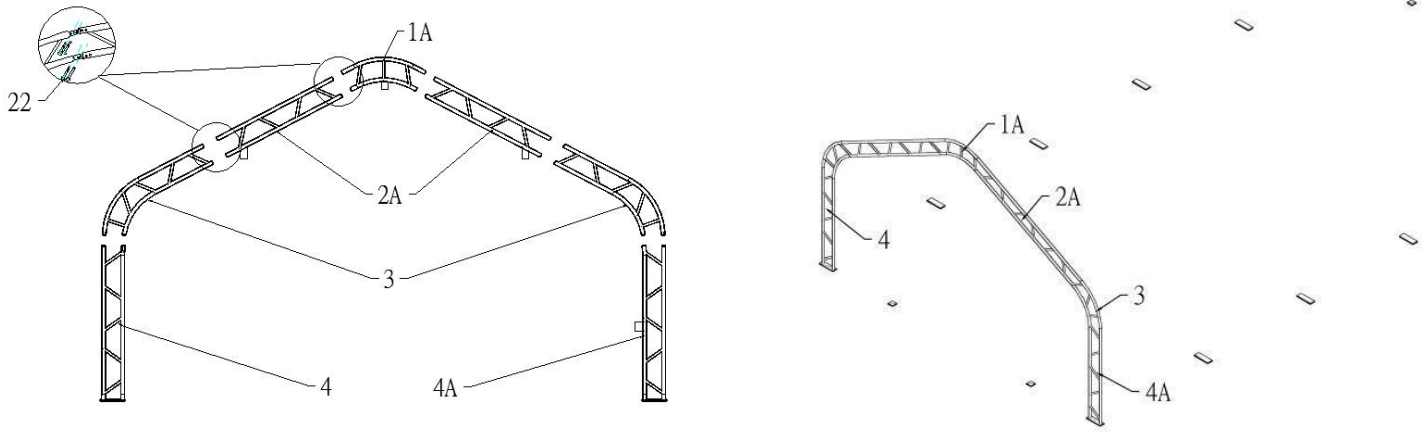


Figure 3

1. Figure 3 shows to connect the Roof bent tube for front and back door (No.1A), Sidewall bent tube for front and back door (No.2A), Shoulder bent tube (No.3), Standing leg (No.4) and Standing leg for front door (No.4A) with Bolt 8x60 (No.22), then put the arch into tube of the Base flange by hoist (see Figure 4)

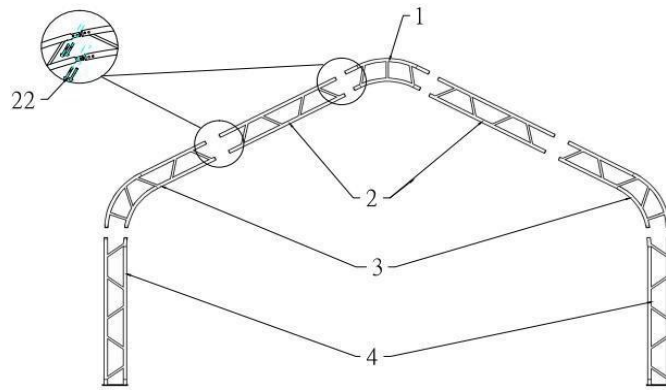


Figure 4

2. Figure 4 shows to connect the middle groups' Roof bent tube (No.1), Sidewall bent tube (No.2), Shoulder bent tube (No.3), and Standing leg (No.4) with Bolt 8x60 (No.22), then put the arch into tube of the Base flange by hoist, and assemble every group arch by turns (see Figure 5)

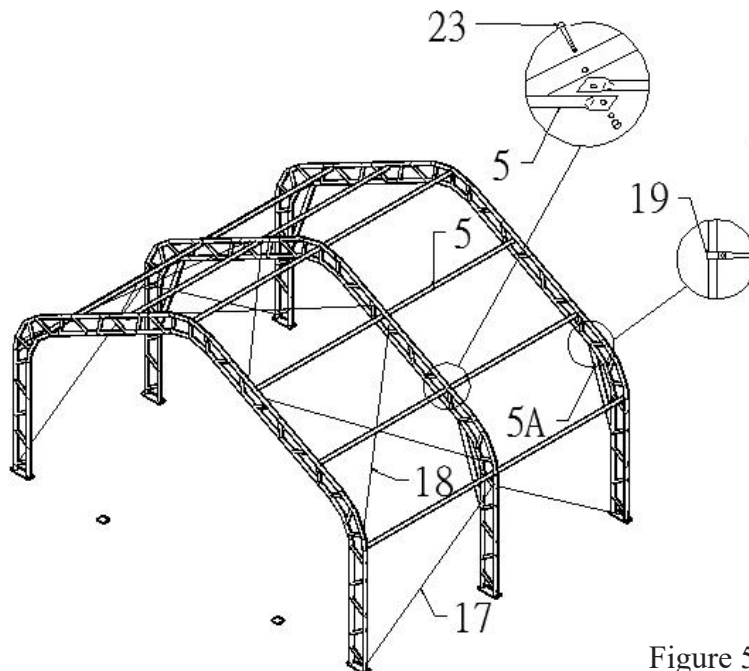


Figure 5

3. Connect Purlin(No.5) to arch by using Bolt 10x70mm (No.23) by turns(see Figure 5),then connect the Steel wire(NO.17 and NO.18) on top and side and the diagonal bar at shoulder(No.5A) by using Clip(No.19) (see Figure 5).

D--- INSTALLING FRONT AND BACK WALL

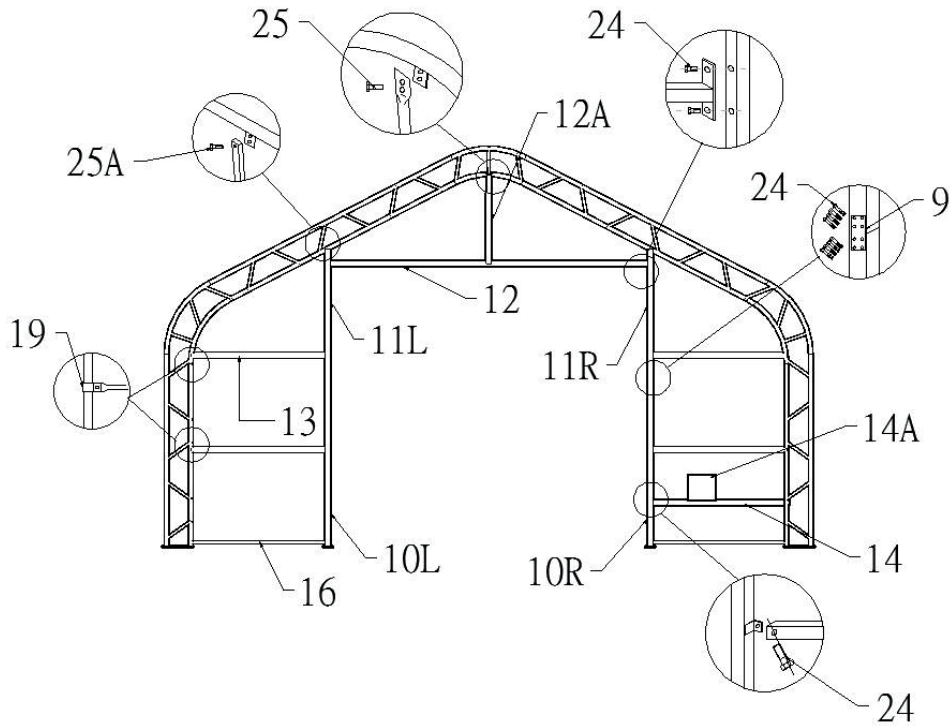


Figure 6: Front and Back door

1. Figure 6 shows to assembly the front and back walls' frame.

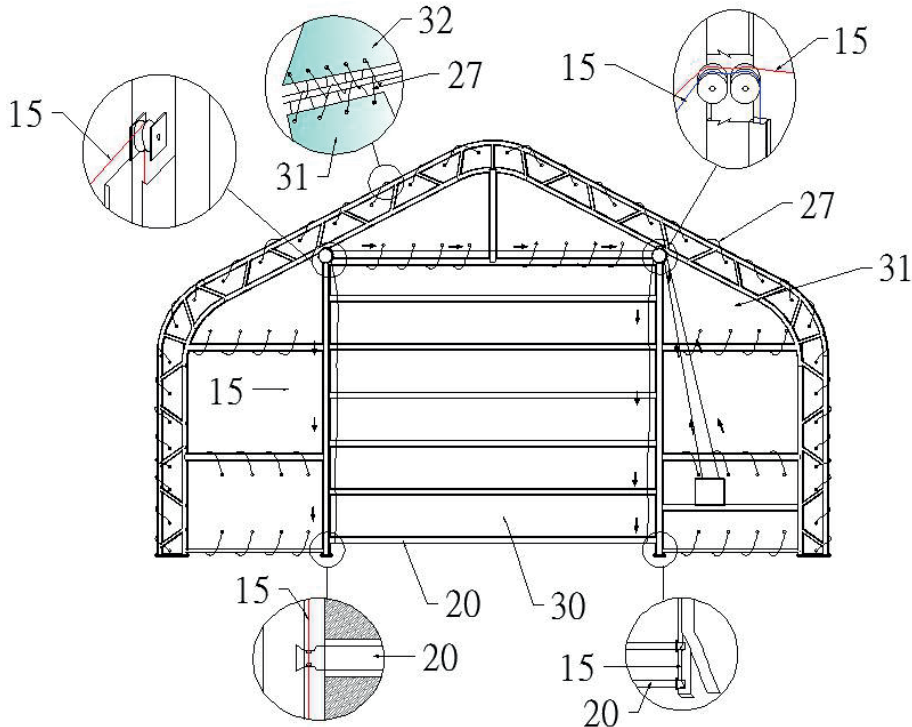


Figure 7: Front and Back Cover

2. Insert the vertical pipe into front and back door through the pockets on covers, assembly the Mechanical wheel, tidy the front door and back door covers by using Rope(No.27), **make the cover well fold to the frame first and then tension the cover.**

E--- INSTALLING THE ROOF COVER

NOTE: Do not install the cover onto the frame of your building in high wind conditions.

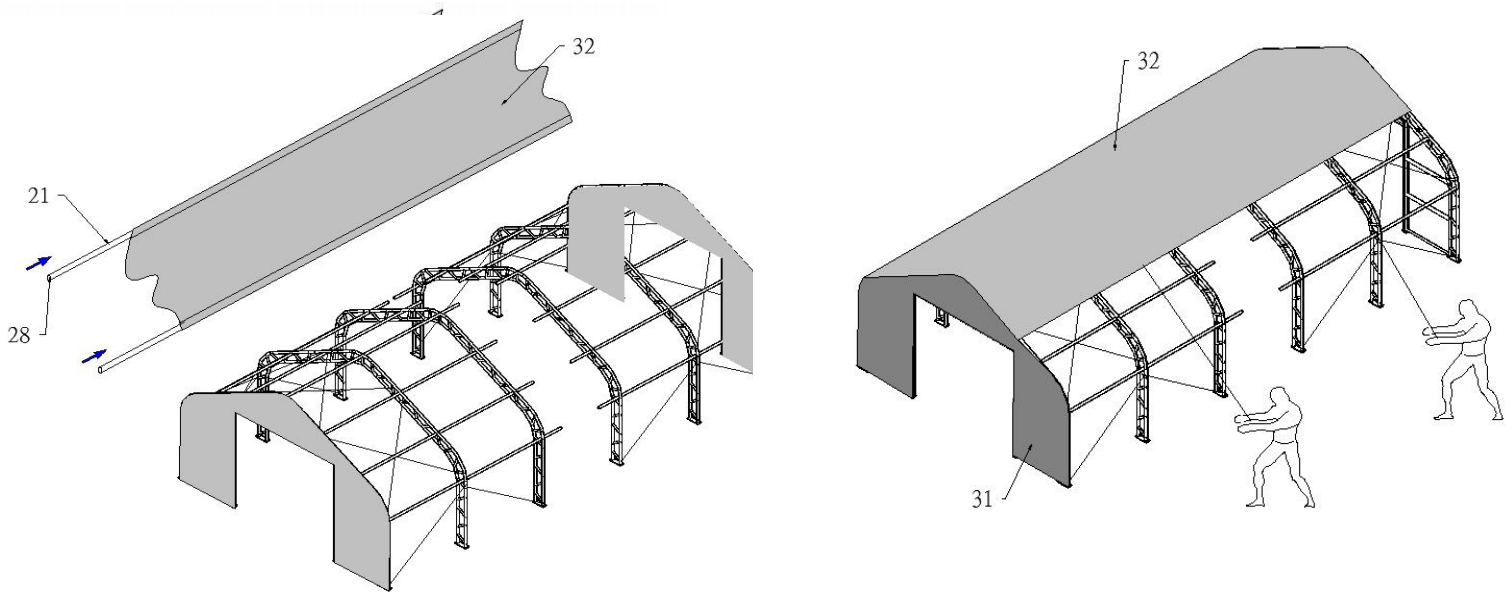


Figure 8

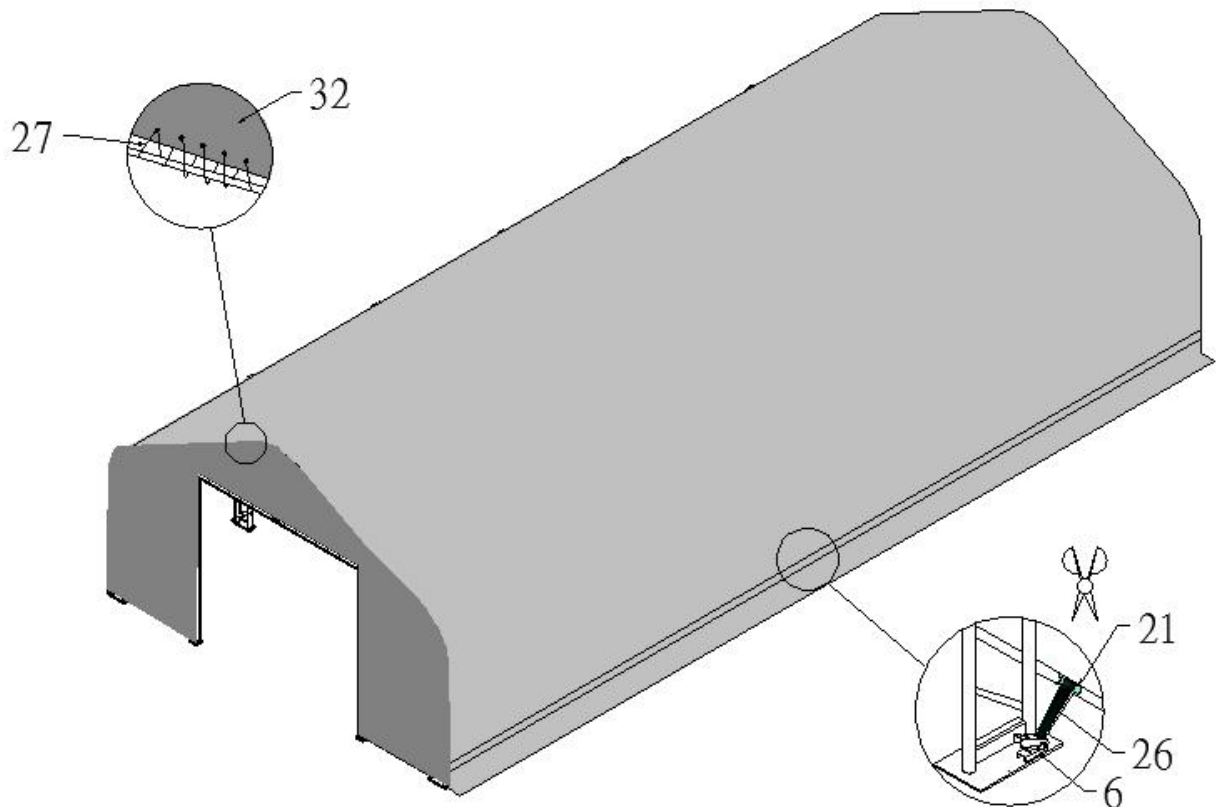


Figure 9

1. When Roof cover is over top of Frame assembly (see Figure 8), insert Tensioning tubes (No.21) into pockets along both sides of Roof cover, cut opening for Nylon band for ratchet, find the Nylon band over tube feed end into tie down to ratchet (No.6).
2. The roof cover is tensioned from front to back by the rope lacing to grommet flaps inside the main cover, inside the unit at both front and rear arches. Using the rope provided, lace the main cover grommet flap around the main frame front and rear arch pieces. Start in the top middle of each arch, and lace to each side. Add rope length by tying pieces together or cutting as necessary.

CONGRATULATIONS: NOW YOUR ASSEMBLY IS COMPLETED.